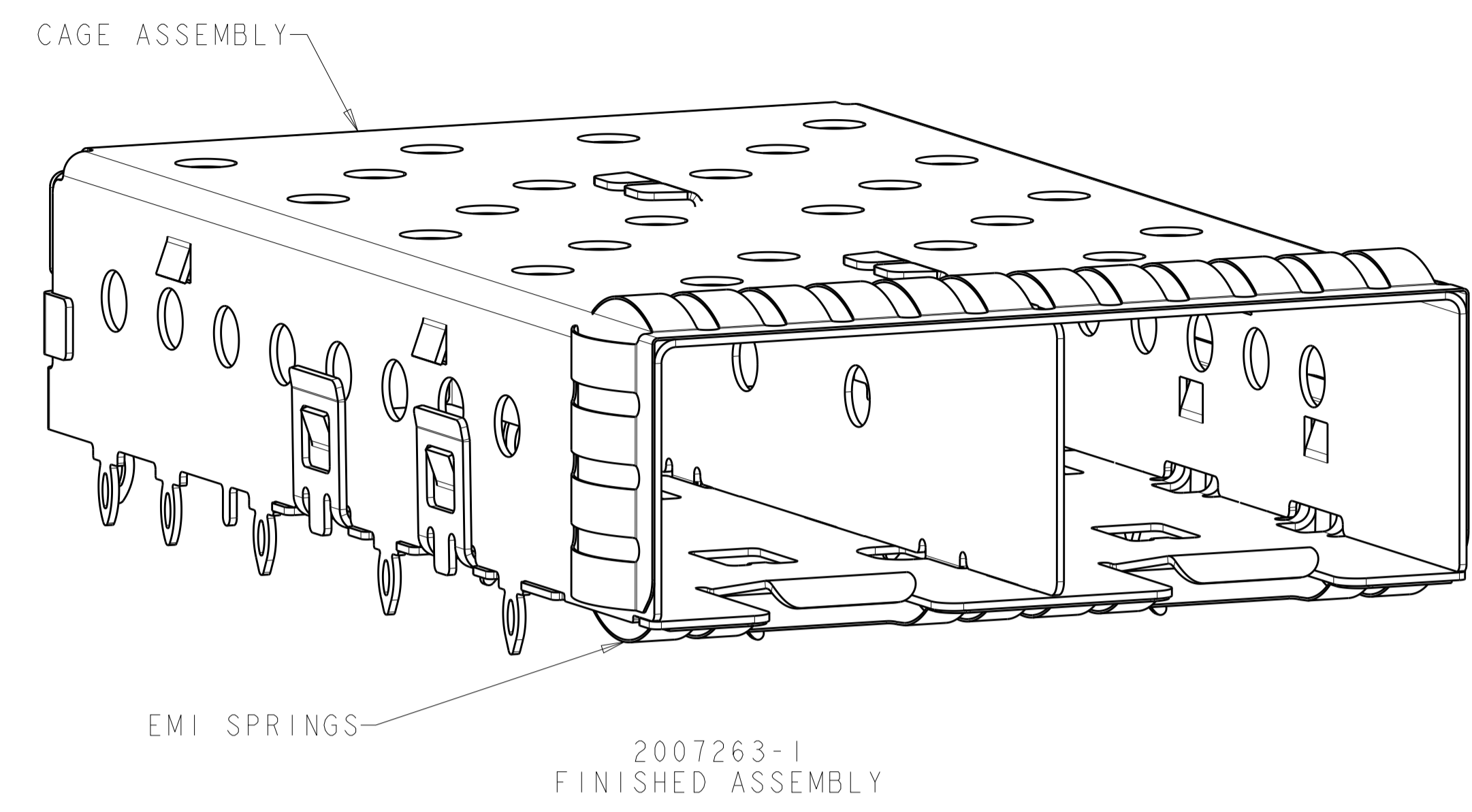
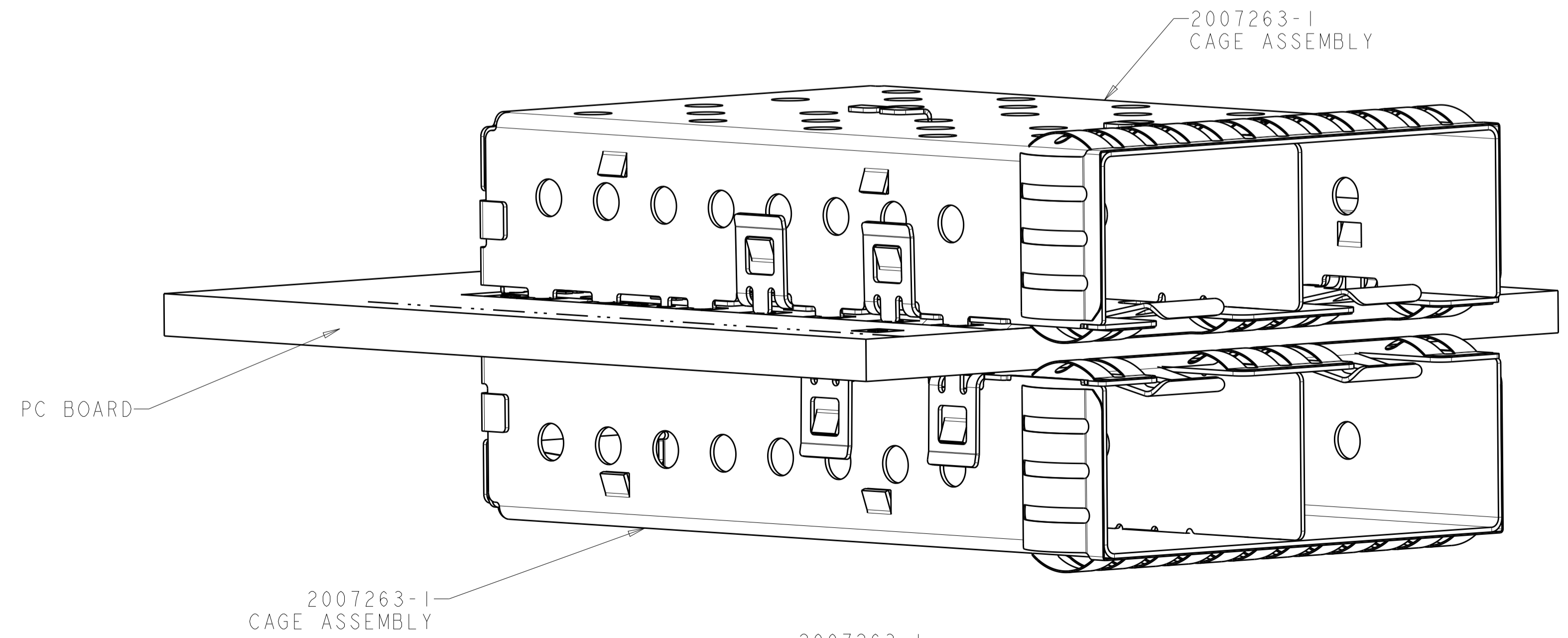
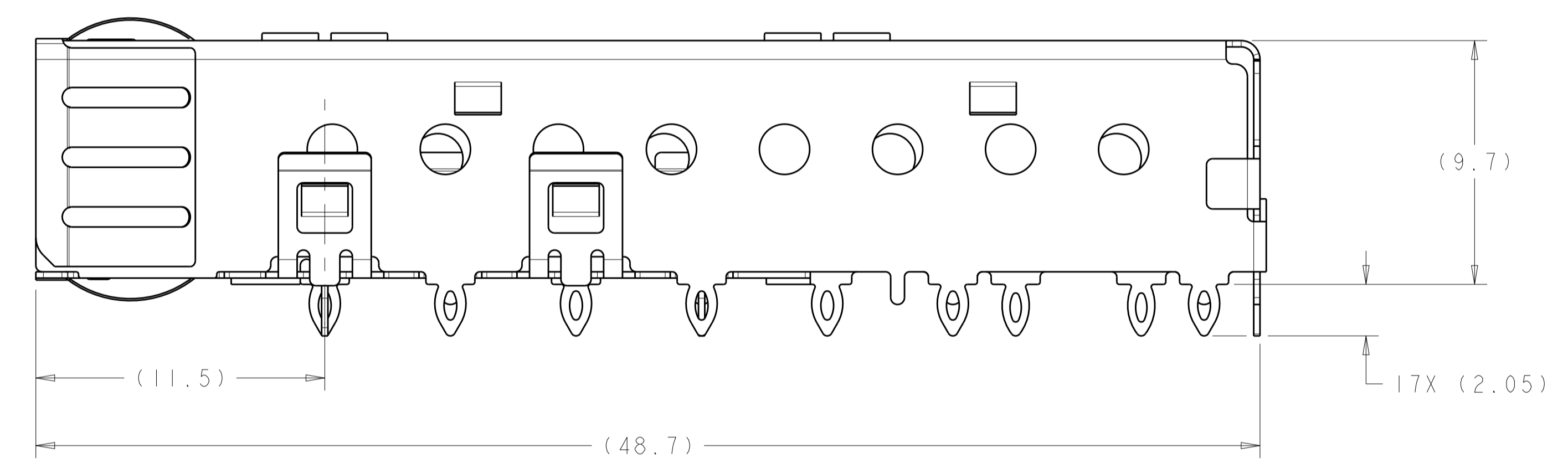
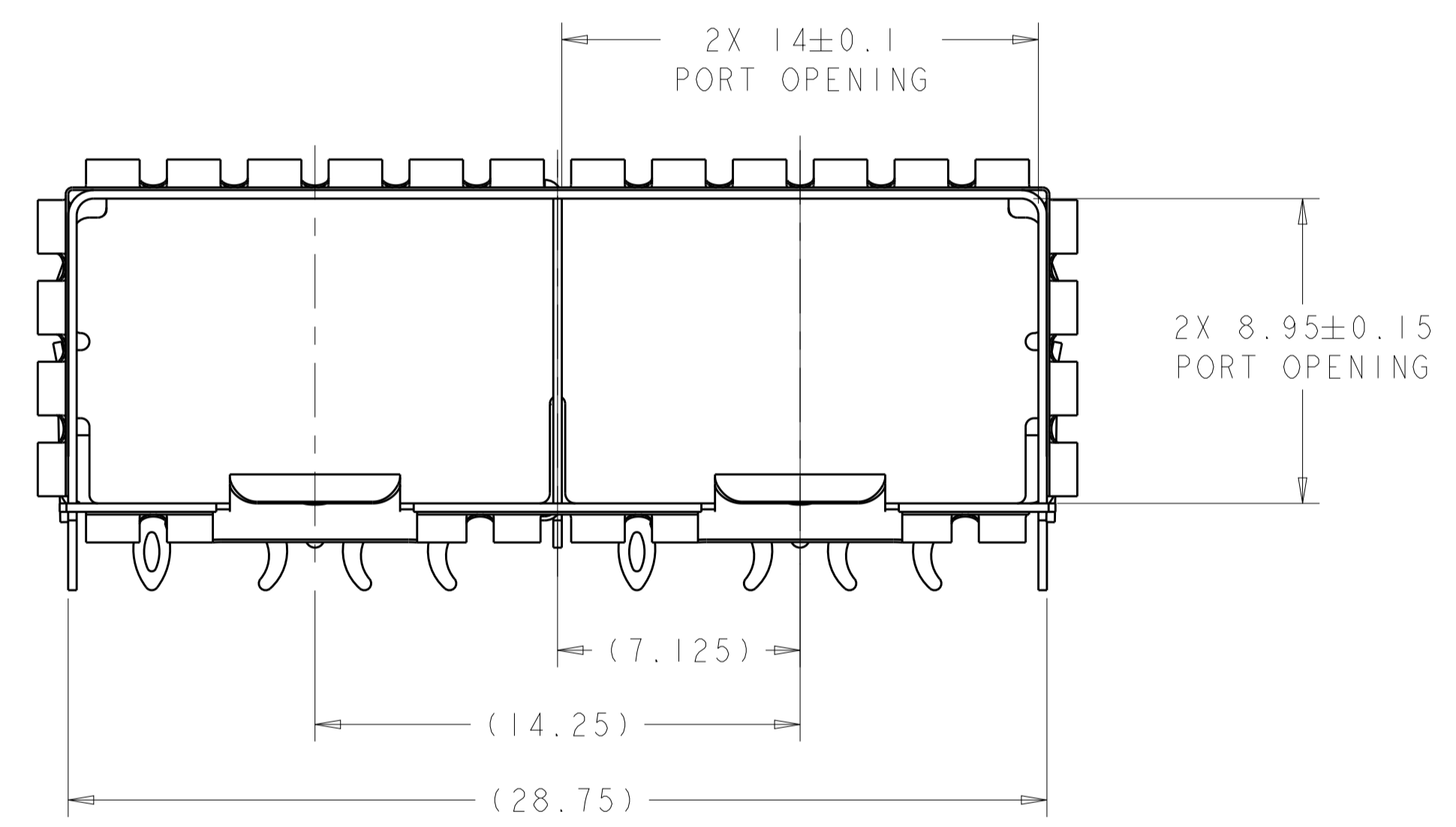


LOC	DIST	REVISIONS			
P	LTN	DESCRIPTION	DATE	DWN	APVD
B1		REVISED PER ECO-11-004835	11MAR2011	RK	HMR
C		REVISED PER ECO-11-024172	07DEC2011	TX	AC
D		REVISED PER ECO-12-014021	10DEC2012	TD	AC



- 1. MATERIAL: CAGE ASSEMBLY: 0.25mm THICK NICKEL SILVER ALLOY
EMI SPRINGS: COPPER ALLOY
- 2. FINISH:
SPRINGS - MINIMUM OF 0.8um MATTE TIN PLATED OVER A MINIMUM OF 0.8um NICKEL UNDERPLATE.
NON-PLATED EDGES PERMISSIBLE.
- 3. MATES WITH SFP MSA COMPLIANT TRANSCEIVERS.
- 4. PADS AND VIAS CHASSIS GROUND.
- 5. INTERPRETATION OF DATUM REFERENCE FRAME IN ACCORDANCE WITH SECT 4.4.1.1 OF ASME Y14.5M-1994.
- 6. MINIMUM PC BOARD THICKNESS:
SINGLE SIDED = 1.50
DOUBLE SIDED = 2.25
- 7. HOLE PATTERN REPEATS FOR EACH PORT, SPACING BETWEEN PORTS IS 14.25mm.
- 8. DATUM AND BASIC DIMENSION ESTABLISHED BY CUSTOMER.
- 9. REFERENCE APPLICATION SPEC. 114-13120, HOLE A, FOR RECOMMENDED DRILL HOLE DIAMETER AND PLATING THICKNESS.
- 10. REFERENCE APPLICATION SPEC. 114-13120, HOLE B, FOR RECOMMENDED DRILL HOLE DIAMETER AND PLATING THICKNESS.
- 11. CERTAIN MATING TRANSCEIVERS MAY REQUIRE ADDITIONAL PCB THICKNESS THAT WOULD NEED TO BE DETERMINED BY THE CUSTOMER.
- 12. PRODUCT COMPLIES WITH SPECIFICATION SFF-8433 IMPROVED PLUGGABLE FORM FACTOR FOR SFP+ GANGED CAGES.

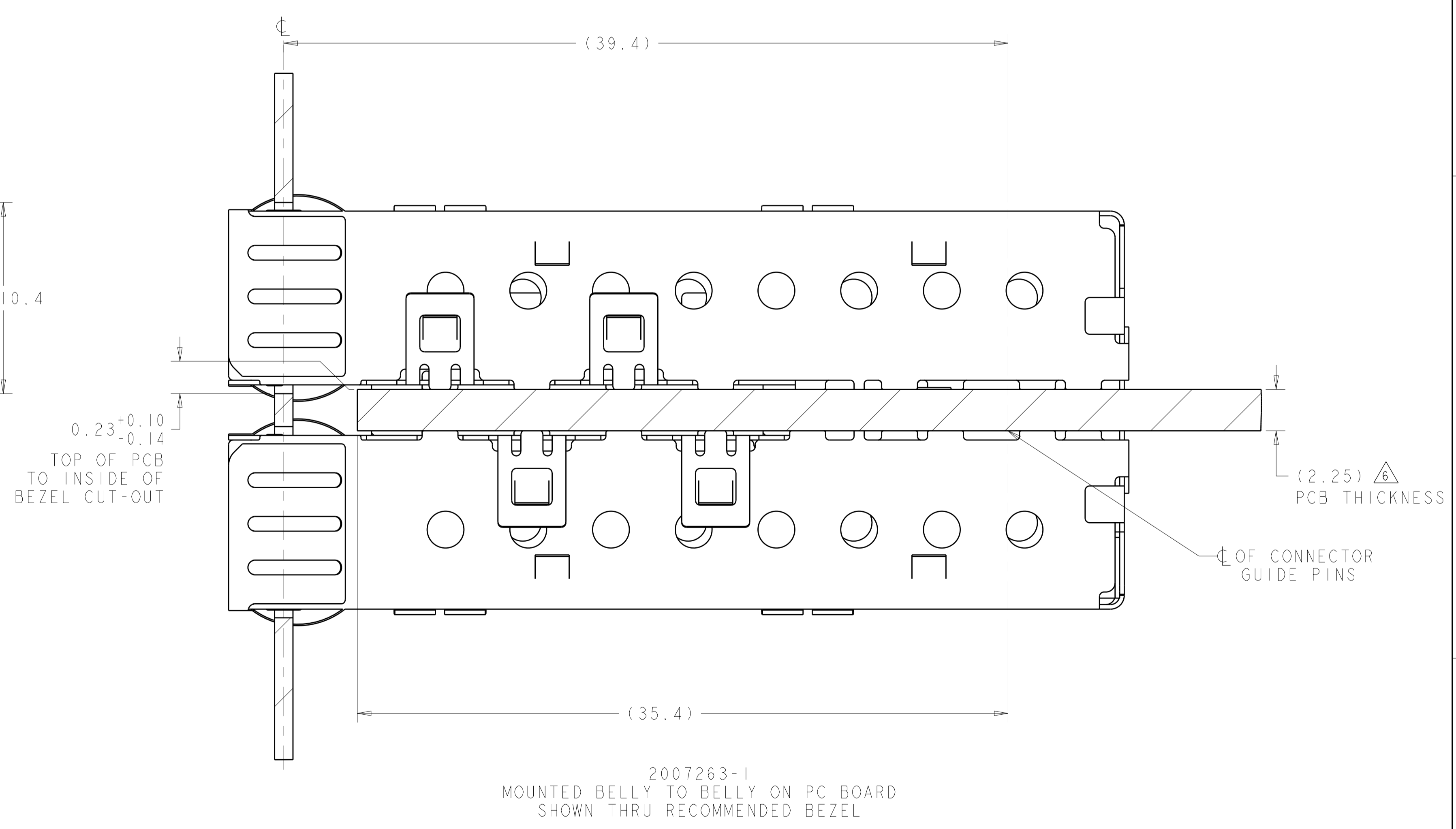
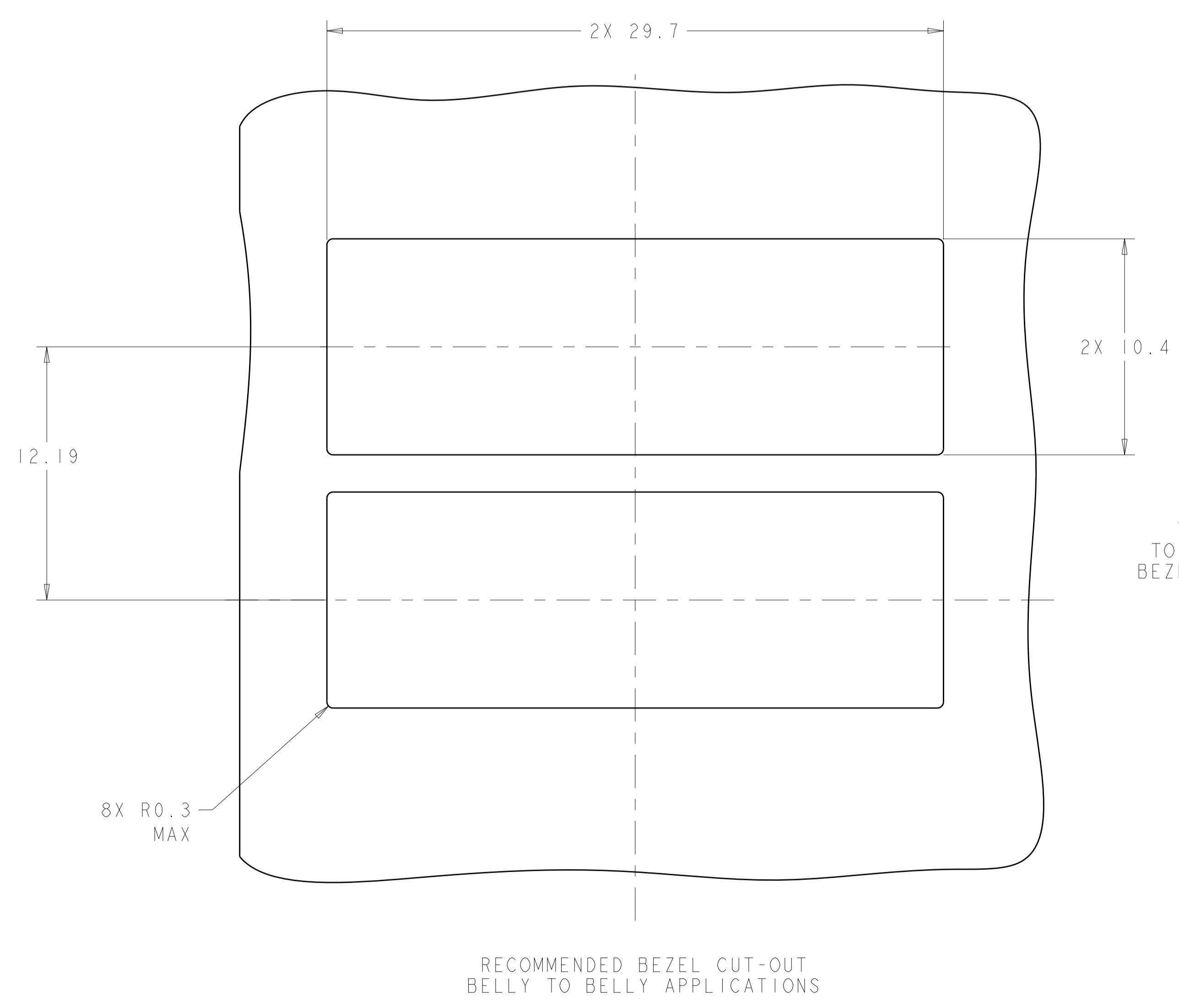
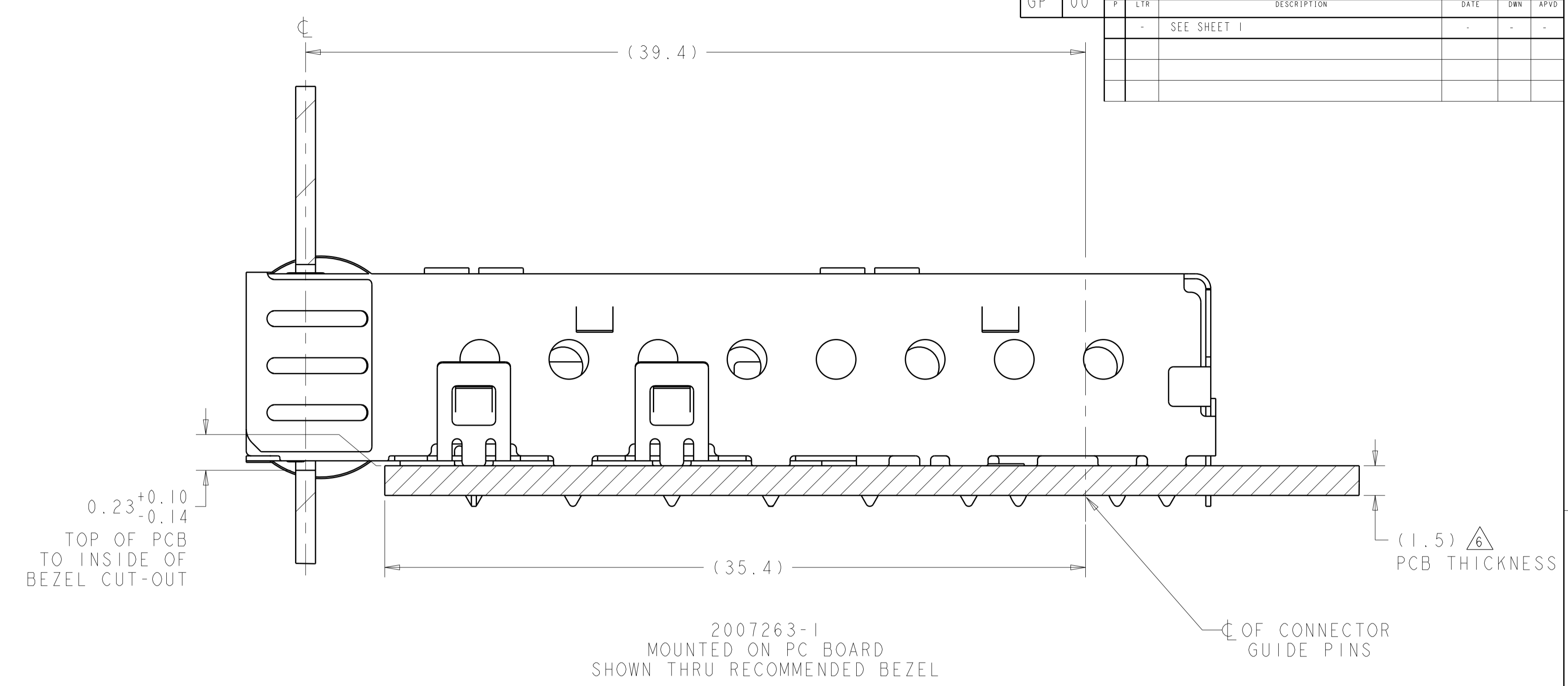
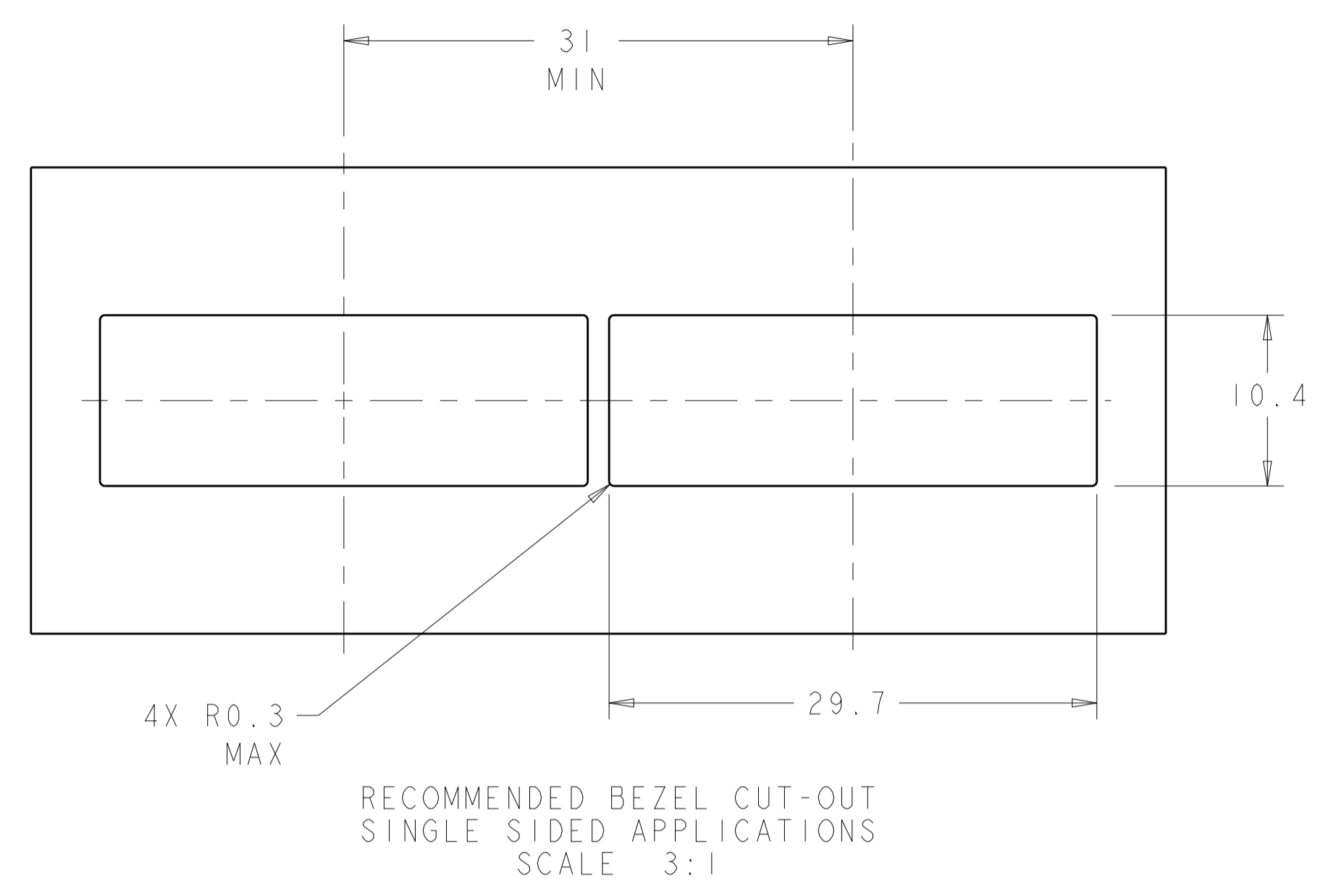


2007263-1
MOUNTED BELLY TO BELLY ON PC BOARD
SCALE 5:1

2007263-1
PART NUMBER

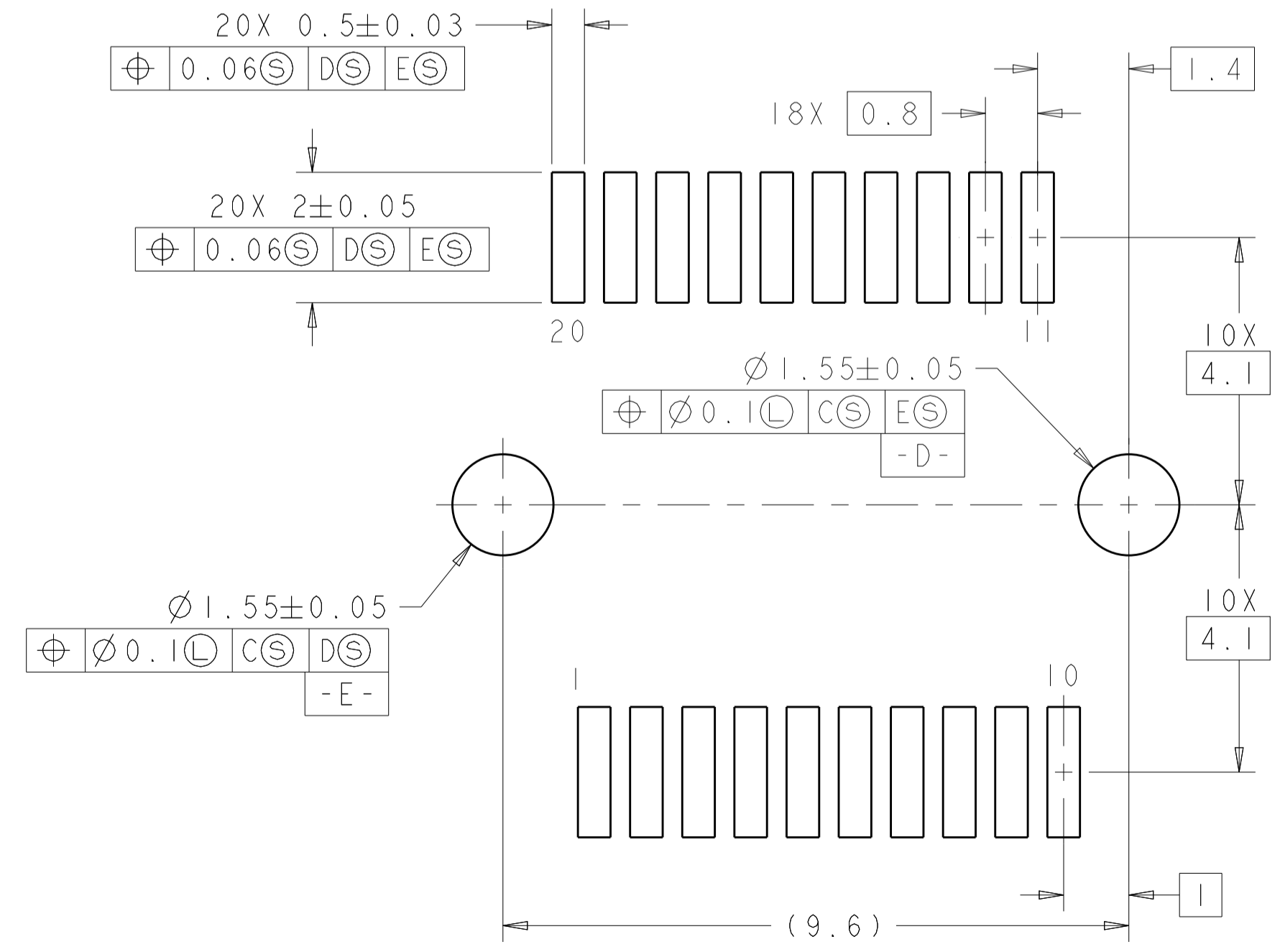
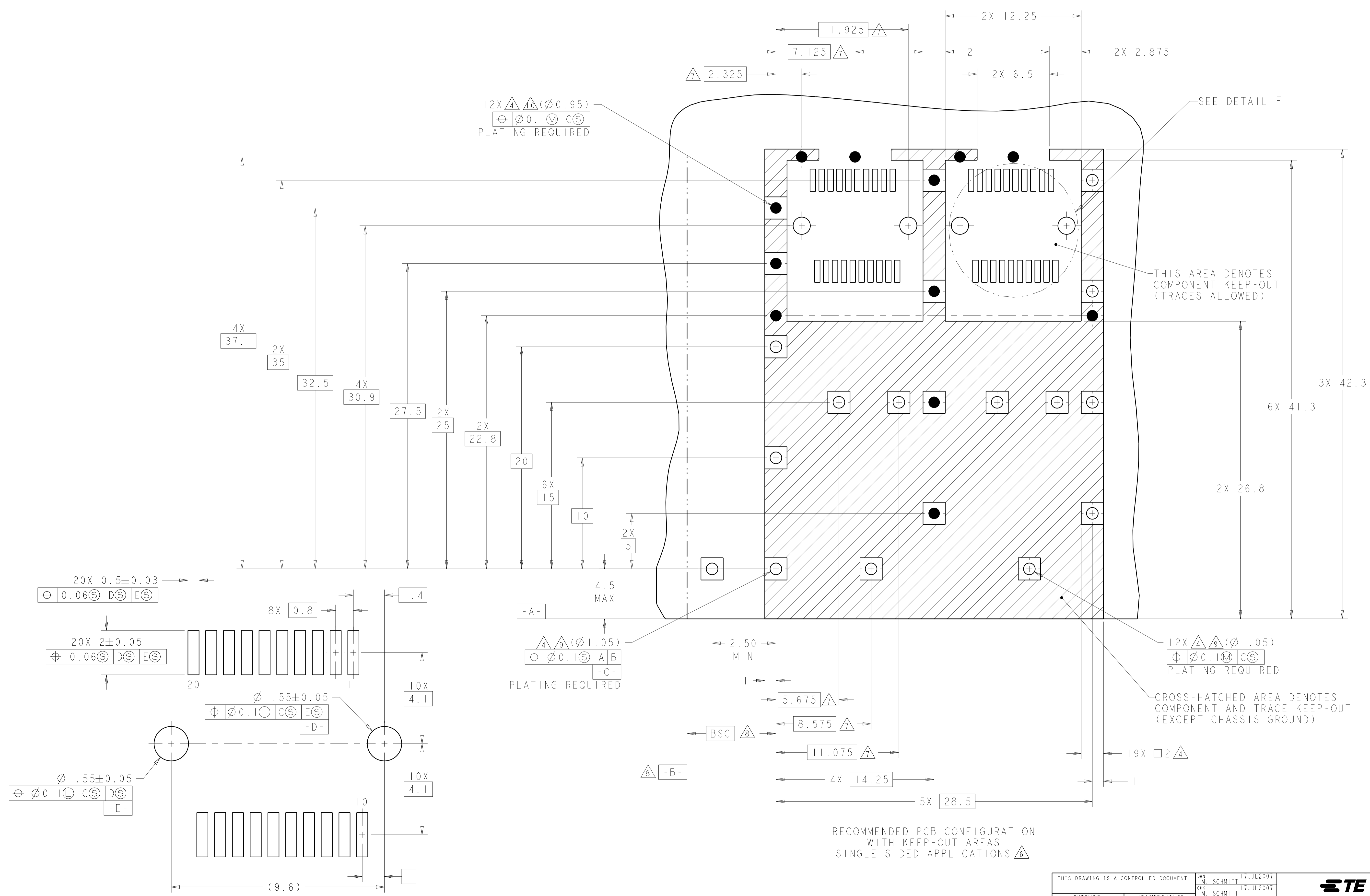
THIS DRAWING IS A CONTROLLED DOCUMENT.		DWN M. SCHMITT 17JUL2007	TE Connectivity	
DIMENSIONS:		CHK M. SCHMITT 17JUL2007	NAME	
mm	TOLERANCES UNLESS OTHERWISE SPECIFIED:	APVD B. WERTZ 17JUL2007	SFP+ 1X2 CAGE ASSEMBLY PRESS FIT, EXTERNAL EMI SPRINGS	
0 PLC	±0.1	PRODUCT SPEC	SIZE CAGE CODE DRAWING NO	
1 PLC	±0.1	108-2364	RESTRICTED TO	
2 PLC	±0.1	APPLICATION SPEC	A100779C=2007263	
3 PLC	±0.1	114-13120	Customer Drawing	
4 PLC	±0.1	WEIGHT	SCALE 6:1 SHEET 1 OF 4 REV D	
ANGLES	±1°			
MATERIAL	FINISH			

LOC		DIST		REVISIONS				
GP	00	P	LTN	DESCRIPTION	DATE	DMN	APVD	
-	-	-	-	SEE SHEET 1	-	-	-	



THIS DRAWING IS A CONTROLLED DOCUMENT.		DMN M. SCHMITT 17JUL2007	TE Connectivity NAME SFP+ 1X2 CAGE ASSEMBLY PRESS FIT, EXTERNAL EMI SPRINGS
DIMENSIONS: mm		CHK M. SCHMITT 17JUL2007	
TOLERANCES UNLESS OTHERWISE SPECIFIED:		APVD B. WERTZ 17JUL2007	
0 PLC ± 0.1 1 PLC ± 0.1 2 PLC ± 0.1 3 PLC ± 0.1 4 PLC ± 0.1 ANGLES ± 0.1 FINISH $\pm 1^{\circ}$		PRODUCT SPEC 108-2364 APPLICATION SPEC SIZE 114-13120 WEIGHT Customer Drawing	
MATERIAL		RESTRICTED TO	SCALE 6:1 SHEET 2 OF 4 REV D A100779 ©=2007263

REVISED		REVISIONS			
NO	DATE	DESCRIPTION	DATE	BY	APPD
GP	00	SEE SHEET 1	-	-	-



RECOMMENDED PCB CONFIGURATION
 WITH KEEP-OUT AREAS
 SINGLE SIDED APPLICATIONS

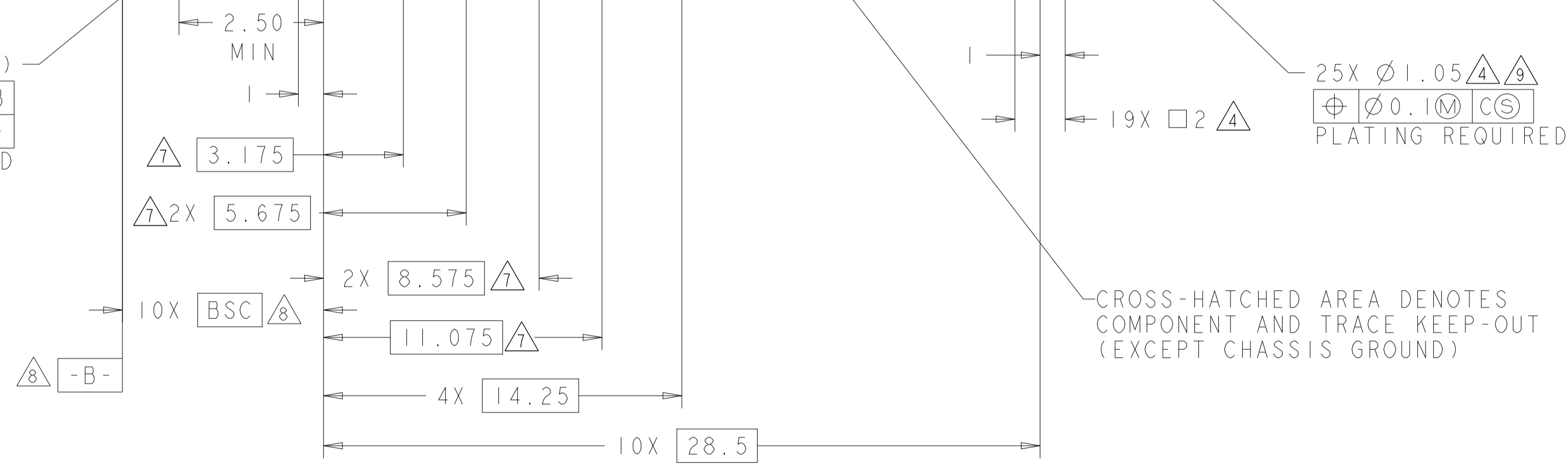
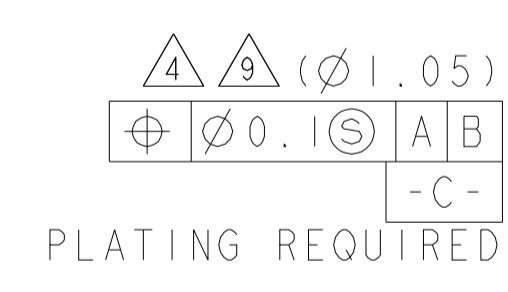
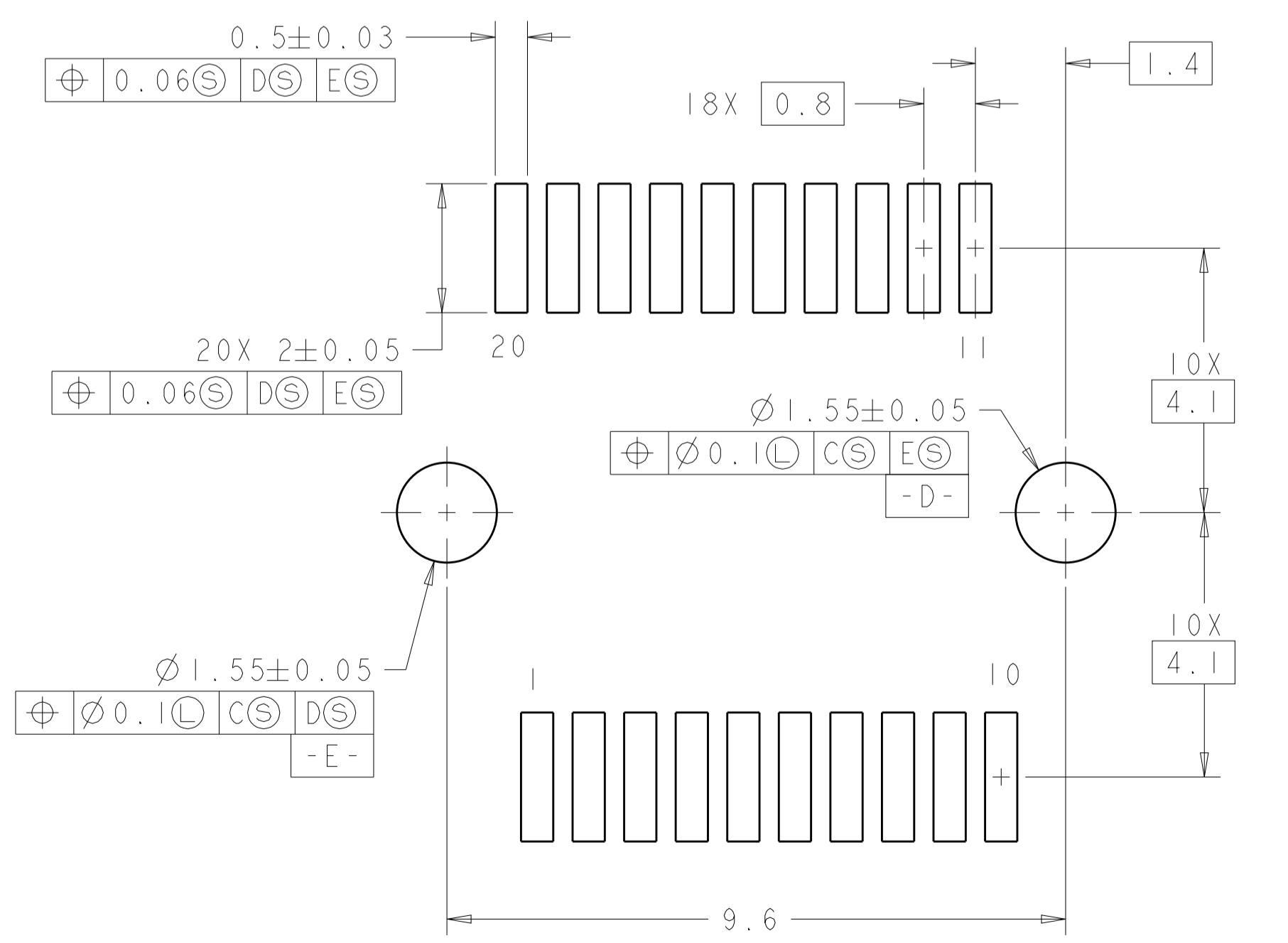
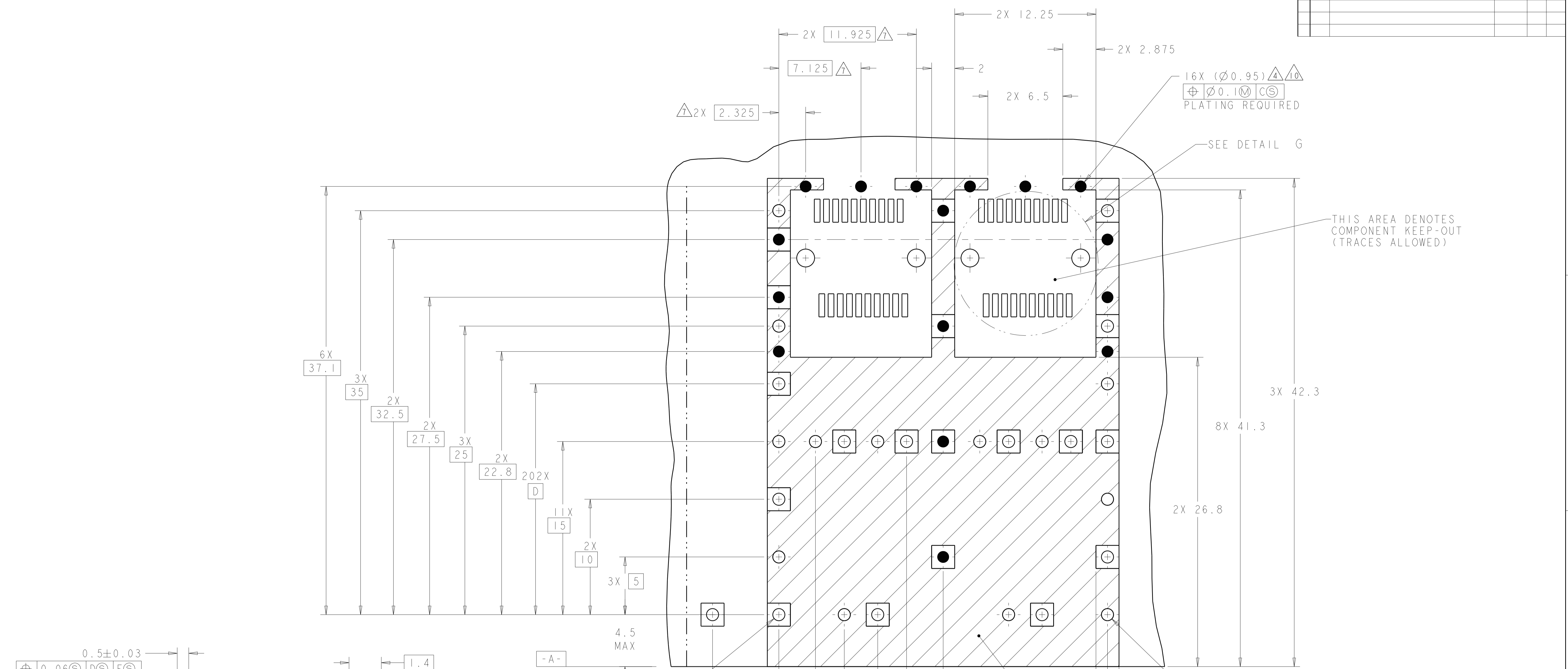
DETAIL F
 RECOMMENDED PT CONNECTOR LAYOUT
 2X INDIVIDUALLY
 SCALE 12:1

DIMENSIONS:		TOLERANCES UNLESS OTHERWISE SPECIFIED:		OTHERWISE SPECIFIED:	
mm	0	PLC	±0.1		
	1	PLC	±0.1		
	2	PLC	±0.1		
	3	PLC	±0.1		
	4	PLC	±0.1		
	5	PLC	±0.1		
	6	PLC	±0.1		
	7	PLC	±0.1		
	8	PLC	±0.1		
	9	PLC	±0.1		
	10	PLC	±0.1		
	11	PLC	±0.1		
	12	PLC	±0.1		
	13	PLC	±0.1		
	14	PLC	±0.1		
	15	PLC	±0.1		
	16	PLC	±0.1		
	17	PLC	±0.1		
	18	PLC	±0.1		
	19	PLC	±0.1		
	20	PLC	±0.1		

THIS DRAWING IS A CONTROLLED DOCUMENT.		DWN: M. SCHMITT	17JUL2007		TE Connectivity
DIMENSIONS: mm		CHK: M. SCHMITT	17JUL2007		
TOLERANCES UNLESS OTHERWISE SPECIFIED:		APV: B. WERTZ	17JUL2007		
		NAME: SFP+ 1X2 CAGE ASSEMBLY			
MATERIAL: -		PRODUCT SPEC: 108-2364	APPLICATION SPEC: -		RESTRICTED TO: -
FINISH: -		SIZE: 114-13120	CAGE CODE: A100779		DRAWING NO: C=2007263
WEIGHT: -		SCALE: 6:1	SHEET 3 OF 4		REV D
Customer Drawing					

4805 (3/11)

LOC		DIST		REVISONS				
P	LTN	DATE	DMN	APVD	DESCRIPTION	DATE	DMN	APVD
-	-	-	-	-	SEE SHEET 1	-	-	-



RECOMMENDED PCB CONFIGURATION WITH KEEP-OUT AREAS
BELLY TO BELLY APPLICATIONS

DETAIL G
RECOMMENDED PT CONNECTOR LAYOUT
4X INDIVIDUALLY
SCALE 12:1

THIS DRAWING IS A CONTROLLED DOCUMENT.		DMN: M. SCHMITT 17JUL2007		TE Connectivity	
DIMENSIONS: mm		CHK: M. SCHMITT 17JUL2007		NAME: SFP+ 1X2 CAGE ASSEMBLY PRESS FIT, EXTERNAL EMI SPRINGS	
TOLERANCES UNLESS OTHERWISE SPECIFIED:		APVD: B. WERTZ 17JUL2007	PRODUCT SPEC: 108-2364		
0 PLC ±0.1		APPLICATION SPEC: 114-13120			
1 PLC ±0.1		RESTRICTED TO: A100779C=2007263			
2 PLC ±0.1		SCALE: 6:1 SHEET 4 OF 4 REV D			
3 PLC ±0.1		Customer Drawing			
4 PLC ±0.1					
ANGLES ±1°					
FINISH					